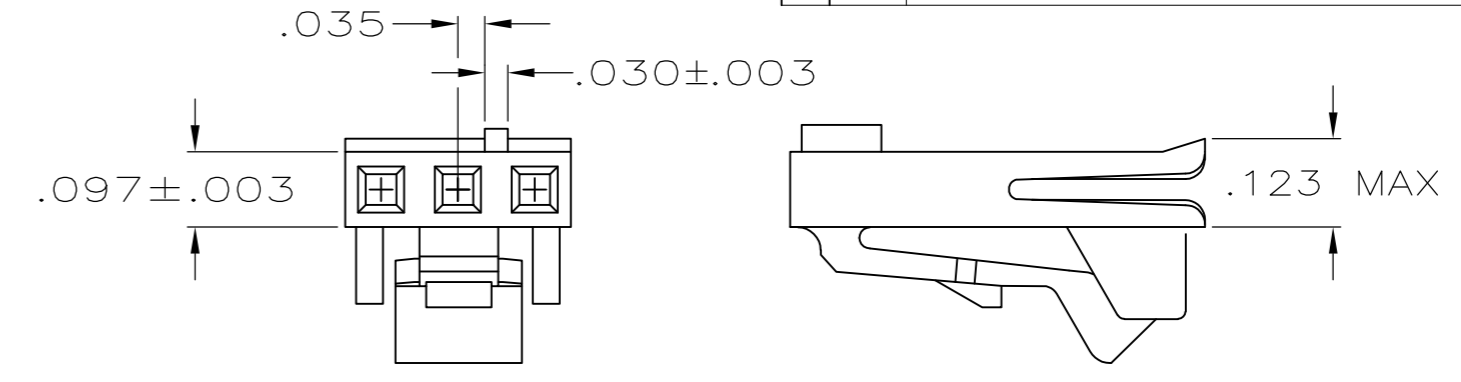
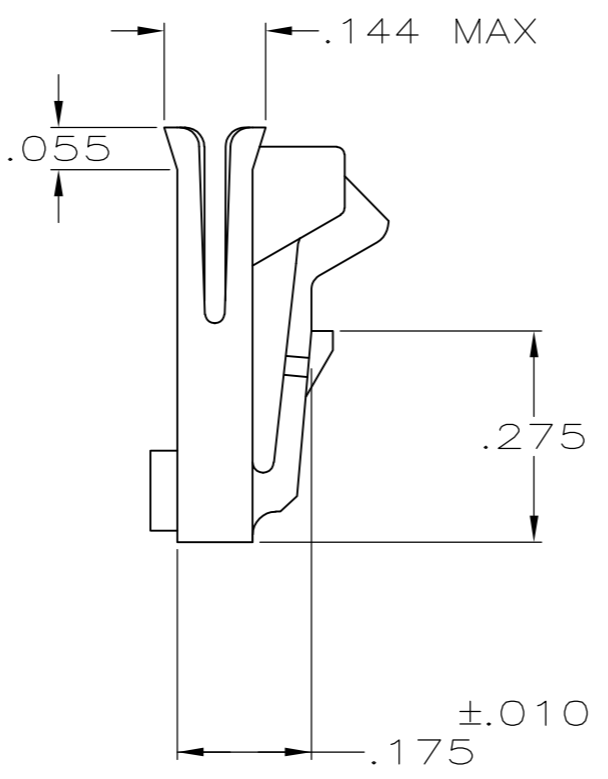
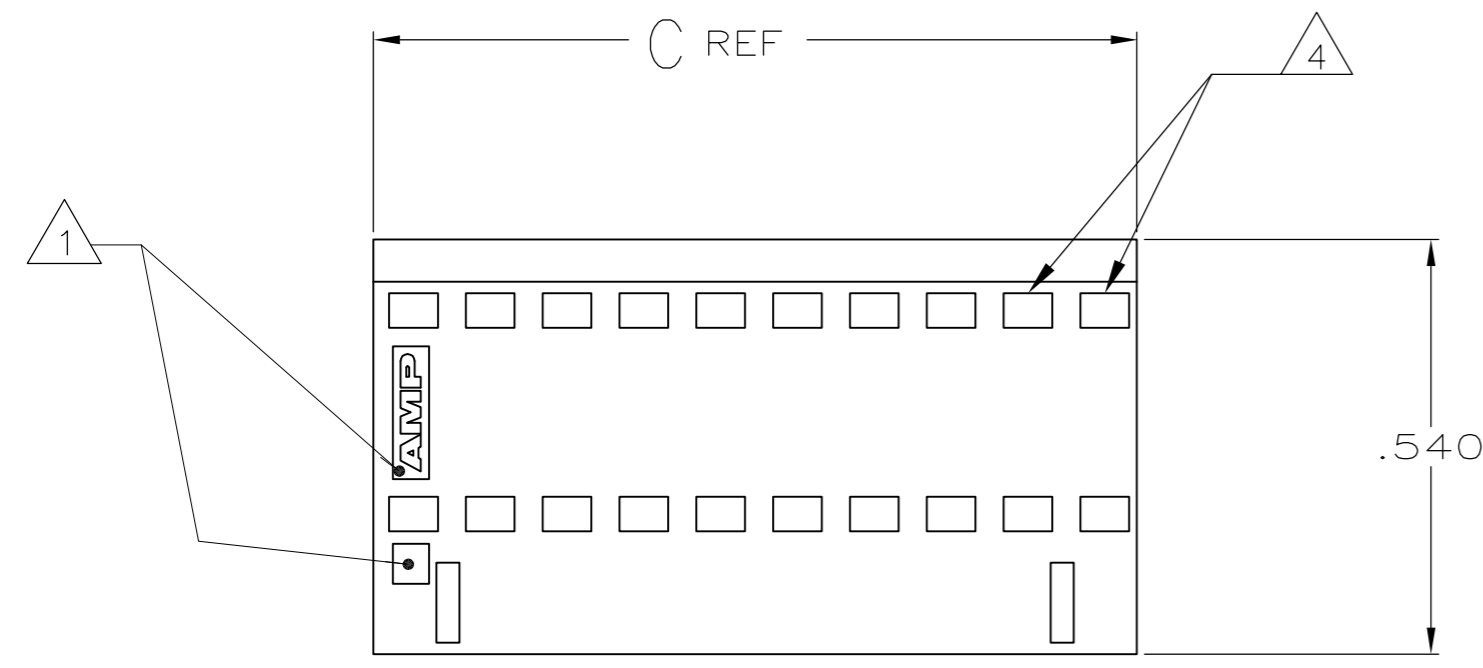


THIS DRAWING IS UNPUBLISHED. RELEASED FOR PUBLICATION  
 © COPYRIGHT - By - ALL RIGHTS RESERVED.

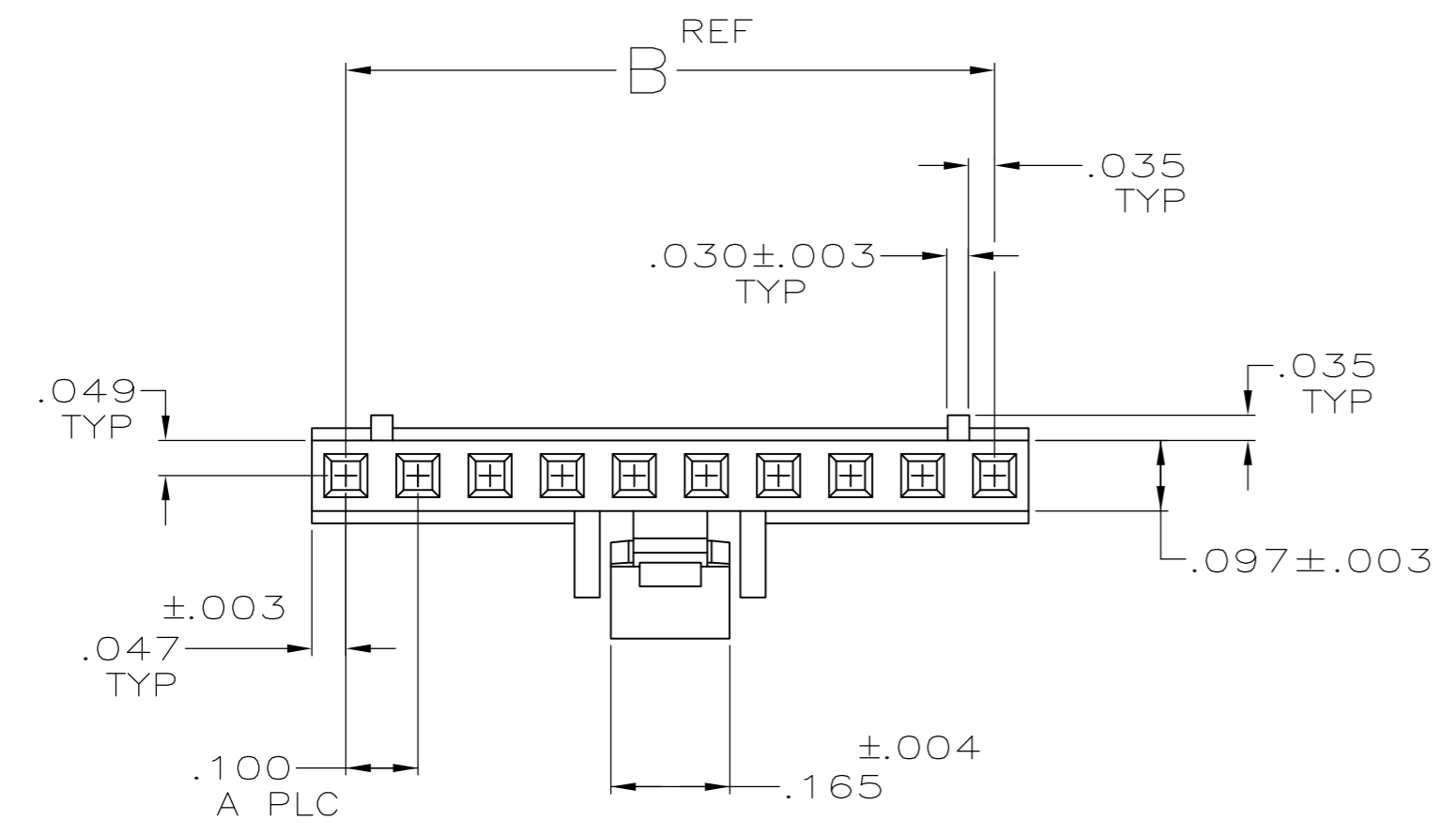
LOC		DIST		REVISIONS					
GP		00		P	LTR	DESCRIPTION	DATE	DWN	APVD
				AA		REVISED PER ECO-11-017188	06DEC2011	CJV	CWR



DETAIL FOR 3 POSN ONLY

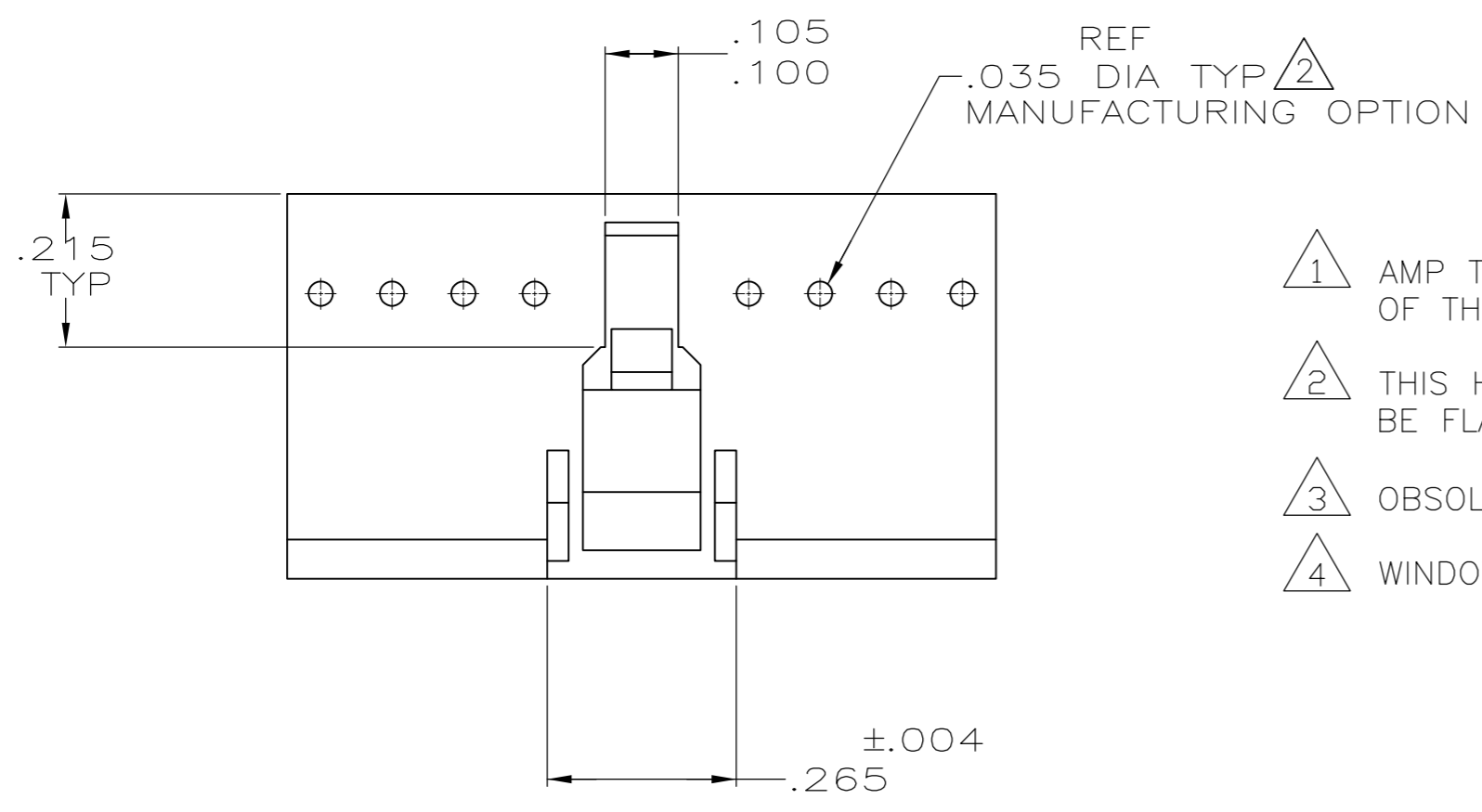


DETAIL FOR 2 POSN ONLY



2.494	2.400	24	25	2-487526-4
2.394	2.300	23	24	2-487526-3
<del>2.294</del>	<del>2.200</del>	<del>22</del>	<del>23</del>	<del>2-487526-2</del>
2.194	2.100	21	22	2-487526-1
<del>2.094</del>	<del>2.000</del>	<del>20</del>	<del>21</del>	<del>2-487526-0</del>
1.994	1.900	19	20	1-487526-9
1.894	1.800	18	19	1-487526-8
1.794	1.700	17	18	1-487526-7
1.694	1.600	16	17	1-487526-6
1.594	1.500	15	16	1-487526-5
1.494	1.400	14	15	1-487526-4
1.394	1.300	13	14	1-487526-3
1.294	1.200	12	13	1-487526-2
1.194	1.100	11	12	1-487526-1
1.094	1.000	10	11	1-487526-0
.994	.900	9	10	487526-9
.894	.800	8	9	487526-8
.794	.700	7	8	487526-7
.694	.600	6	7	487526-6
.594	.500	5	6	487526-5
.494	.400	4	5	487526-4
.394	.300	3	4	487526-3
.294	.200	2	3	487526-2
.194	.100	1	2	487526-1
C REF	B	A	NO OF POSNS	PRODUCT PART NO

~~3~~ OBSOLETE  
~~3~~ OBSOLETE



- 1 AMP TRADEMARK AND MOLD CAVITY IDENTIFICATION LOCATED AT EITHER END OF THE HOUSING IN APPROXIMATE AREA SHOWN.
- 2 THIS HOLE IS FOR MOLDING PURPOSES ONLY AND MAY BE FLASHED OVER.
- 3 OBSOLETE PARTS: OBSOLETE CIS STREAMLINING PER D.RENAUD/D.SINISI.
- 4 WINDOWS MAY OR MAY NOT BE PRESENT ON THIS END OF THE HOUSING.

THIS DRAWING IS A CONTROLLED DOCUMENT.

DIMENSIONS: INCHES	TOLERANCES UNLESS OTHERWISE SPECIFIED:	DWN P. BERRY 12-11-85	TE Connectivity
		CHK D. DOLLYHIGH 12-13-85	
		APVD -	NAME
		PRODUCT SPEC 108-9024	HOUSING, RECEPTACLE, LATCH, POLARIZED, FFC
		APPLICATION SPEC 114-16015	SIZE CAGE CODE DRAWING NO RESTRICTED TO
MATERIAL THERMOPLASTIC.	FINISH -	WEIGHT -	A2 00779 C=487526
		CUSTOMER DRAWING	SCALE 4:1 SHEET 1 OF 1 REV AA